



「**打造商用车**

制动安全的精品自主品牌

COMMERCIAL VEHICLES

SAFE AND SECURE BOUTIQUE INDEPENDENT BRAND

Special for air pressure disc brakes



端主体德走天下

DIRECTORY

目录



● 关于瑞立 About Ruili	01
● 技术优势 Technological Superiority	03
● 试验及检测能力 Testing & Measurement	04
● 销售服务网络优势 Sales service network advantage	07
● 海外市场 Oversea markets	08
● 盘式制动器 Air Disc Brake	09
RL160-01	11
RL225-01	13
RK225-01	15
RM225-01	17
RW225-01	19
RL175-01	21
RL200-01	23
RL195-01	

ABOUT US

RUI LI

关于瑞立



Ruili Group was founded in 1987, is specialized in the production and sale of auto parts, track vehicle parts of the modern enterprise. In July 2004, the successful listing of the NASDAQ in the United States, creating a first list of Wenzhou private enterprises outside the country.

Ruili's existing registered capital of 251 million yuan, plant construction area of more than 400,000 square meters. Has developed into Wenzhou region auto parts industry leader, China's commercial vehicle gas braking system leader. Has been named as China's auto parts of the top 100 enterprises, the national auto parts export base enterprises, the national torch plan key high-tech enterprises, the national private enterprises in the top 500, the national intellectual property advantage enterprises, Zhejiang Province, the president of the Chamber of Commerce, participated in the drafting and formulation of a number of national standards, national military standards and industry standards.

打造商商用车 制动安全的精品自主品牌

瑞立伴您走天下

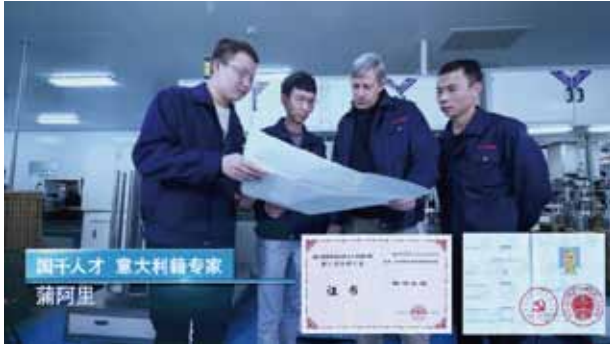


- Hai'an Plate

Air pressure clamp brake is an important component of the air brake system of the commercial vehicle chassis, which is connected to the brake air chamber on the axle and connected to the chassis brake system through the trachea. When the driver presses the brake pedal, through the control of the components of the brake system, push the push disc of the spring brake chamber, pass it to the thrust arm on the disc brake, and activate the disc brake, creating a braking moment that slows down or stops the vehicle. When the brake pedal is released, the braking force is deactivated by the adjustment mechanism inside the disc brake. When the friction plate wear to a certain extent, through the disc brake internal gap self-adjusting mechanism, the friction plate excess gap compensation, to ensure the consistency of the air chamber travel and output force. Commercial roulette brakes with its good braking stability, performance of strong momentum of development, in Europe's commercial vehicles widely installed, by manufacturers and the general user recognition. In order to meet customer demand, Ruili Group in Tangxi Hai'an plant layout of 500,000 sets of production capacity-scale air pressure disc brakes.

技术优势

Technological Superiority



“国千” Talent Pu Anli



“国千” Talent Dalio



优势 Advantage

- Faster new product development
- Customized technical services
- New products involved in advance, joint development
- Technical site support for major projects
- Rich experience in vehicle braking matching
- Professional technical team
- The combination of theoretical analysis and test verification of the bench provides more scientific solutions to the problem



试验及检测能力

Testing & Measurement

The laboratory center implements and complies with the CNAS-CL52 《Testing and Calibration Laboratory Competency Accreditation Guidelines》 .

- Product function testing platform 132
- Product performance testing platform 258
- Product reliability testing platform 95
- Durability testing stations 81



Three coordinates



Rubber TR cryogenic retract test



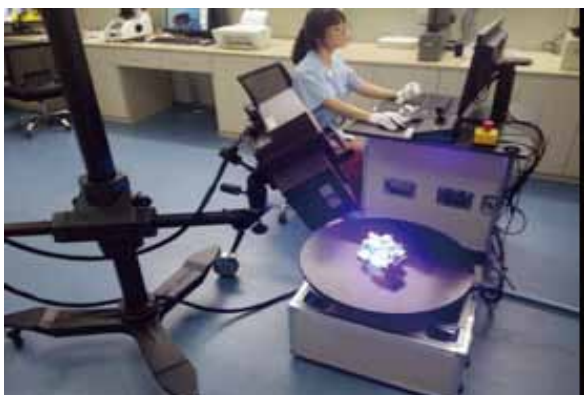
High-precision thread synthesis



Material stretchtest test



Non-metallic material analysis techniques



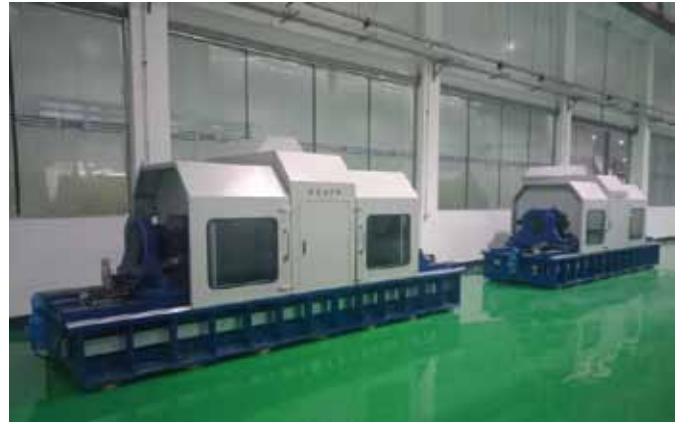
3D scanning



Metal spectroscopy analyzer



Inertia test for commercial vehicles



Torsion fatigue test



Waterproof test



Mud test



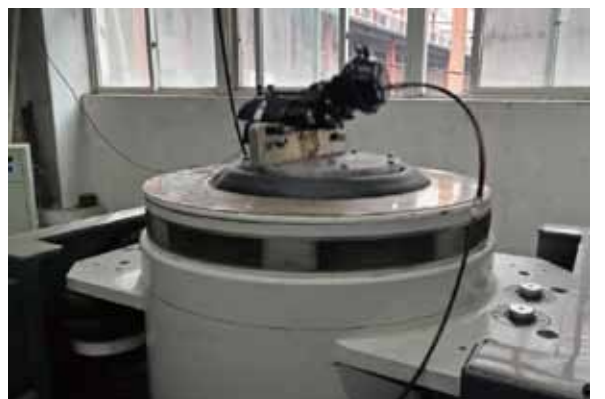
Dust proof test



Real vehicle tests



Static endurance testing



Bad road vibration simulation test



Pneumatic disc professional assembly line



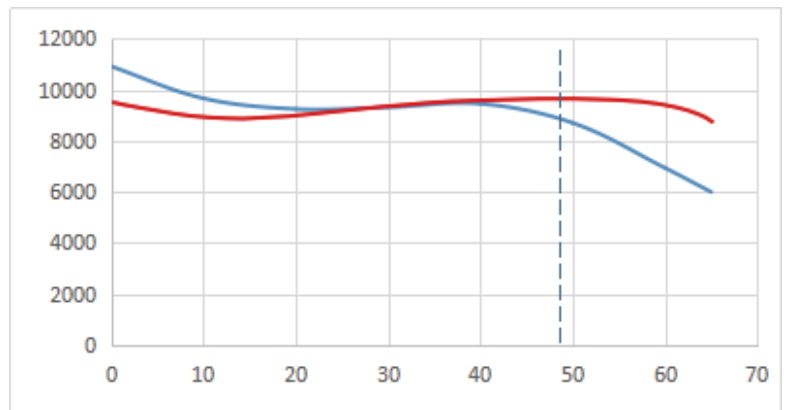
Drag lag detection



Performance testing



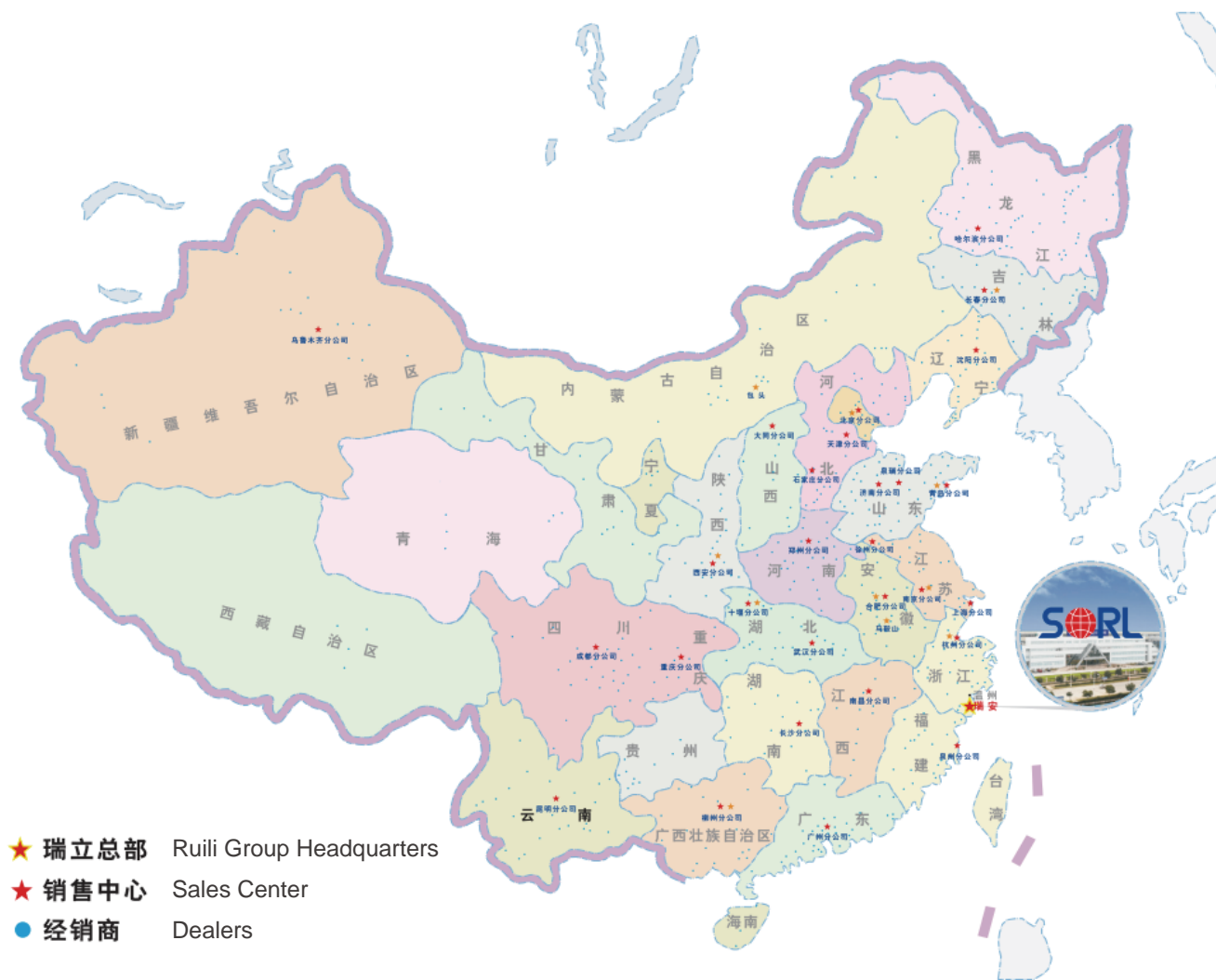
Vehicle performance diagnosis system



Braking torque matching scheme

销售服务网络优势

Sales service network advantage



- Perfect service system and business marketing platform
- For China FAW Group, Dongfeng Group, SAIC Group and other more than 60 domestic automotive manufacturers to provide supporting services
- Ruili set up more than 150 sales companies throughout the country to build Ruili commercial vehicle selling platform
- Covers more than 3000 sales outlets, serving more than 30,000 end customers

海外市场

Overseas markets

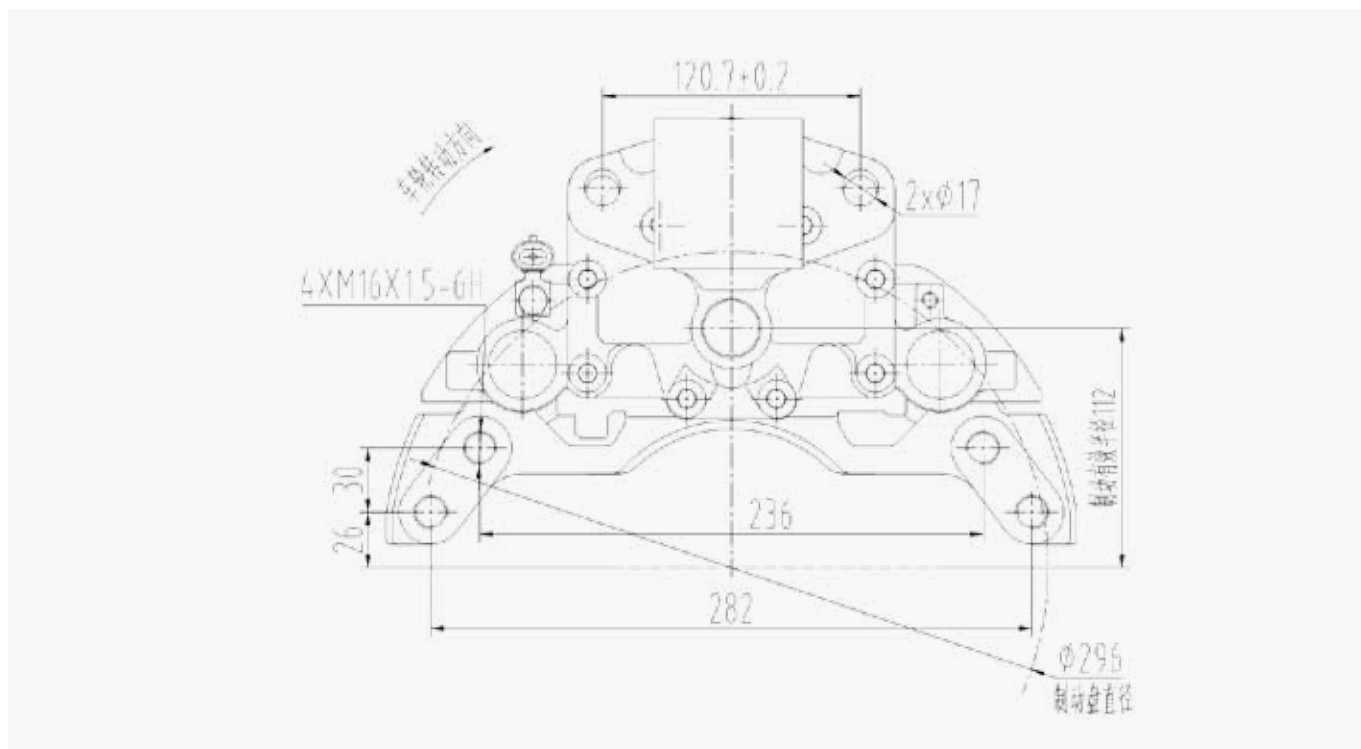


- 8 overseas distribution facilities in the United States, UAE, India, Brazil, Malaysia and Belgium
- Build a domestic auto parts chain system and international auto parts sales network
- Sales network in five continents more than 100 countries and regions



16" single pushrod air
pressure disc brakes

RL160-01安装尺寸 / mounting dimension



Basic mounting size (customized to customer requirements)

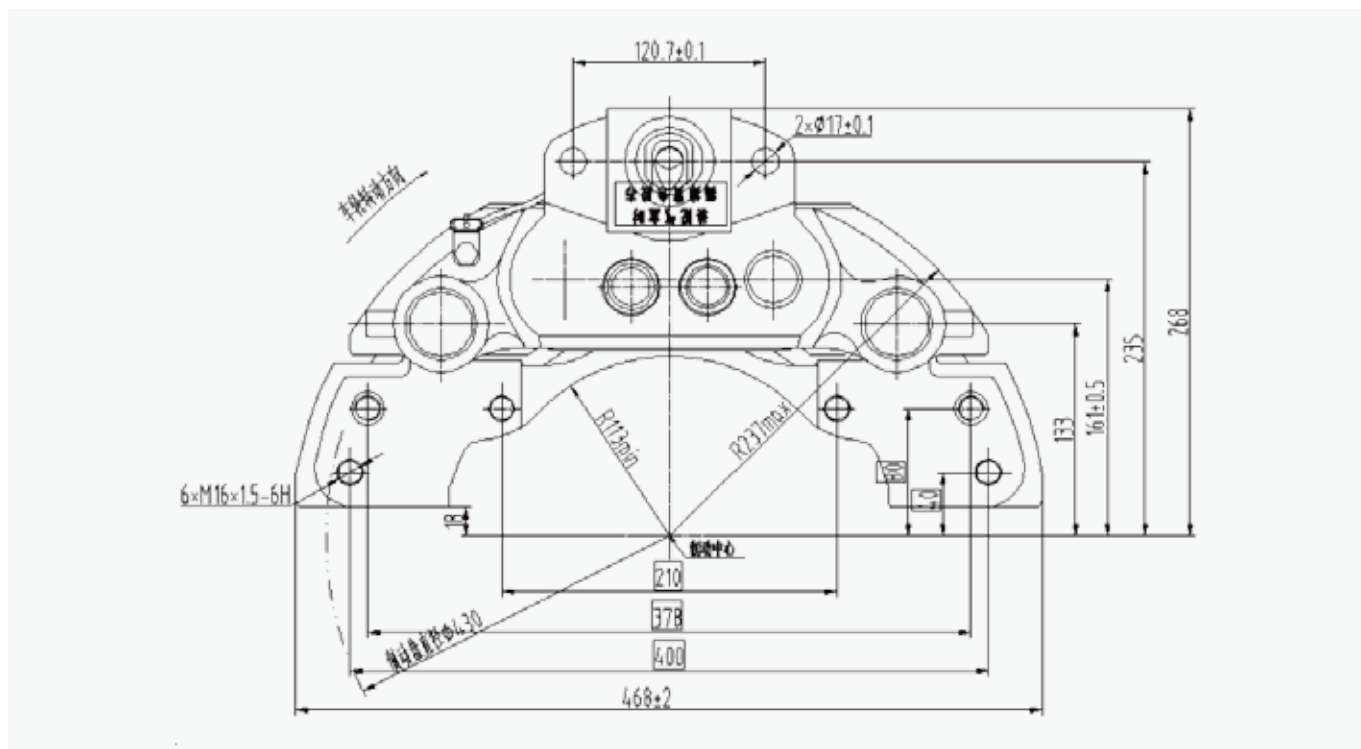
RL160-01技术参数 / technical parameters

Performance	Parameters	Performance	Parameters
Match rim specifications	16	Match the outside diameter of the brake disc	296mm
Match brake chamber specification	16	Brake disc thickness	34mm
Match effective travel of brake air chamber	≥64mm	Thickness of friction material (mm)	16
Rated operating pressure of brake chamber	0.8MPa	Brake clearance	0.6-1.2mm
Rated service brake torque	8kN·m	Structural features	Single push
Effective braking radius	112mm	Weight (excluding gas chamber) (kg)	20.5



22.5" double pushrod air
pressure disc brakes

RL225-01安装尺寸 / mounting dimension



Basic mounting size (customized to customer requirements)

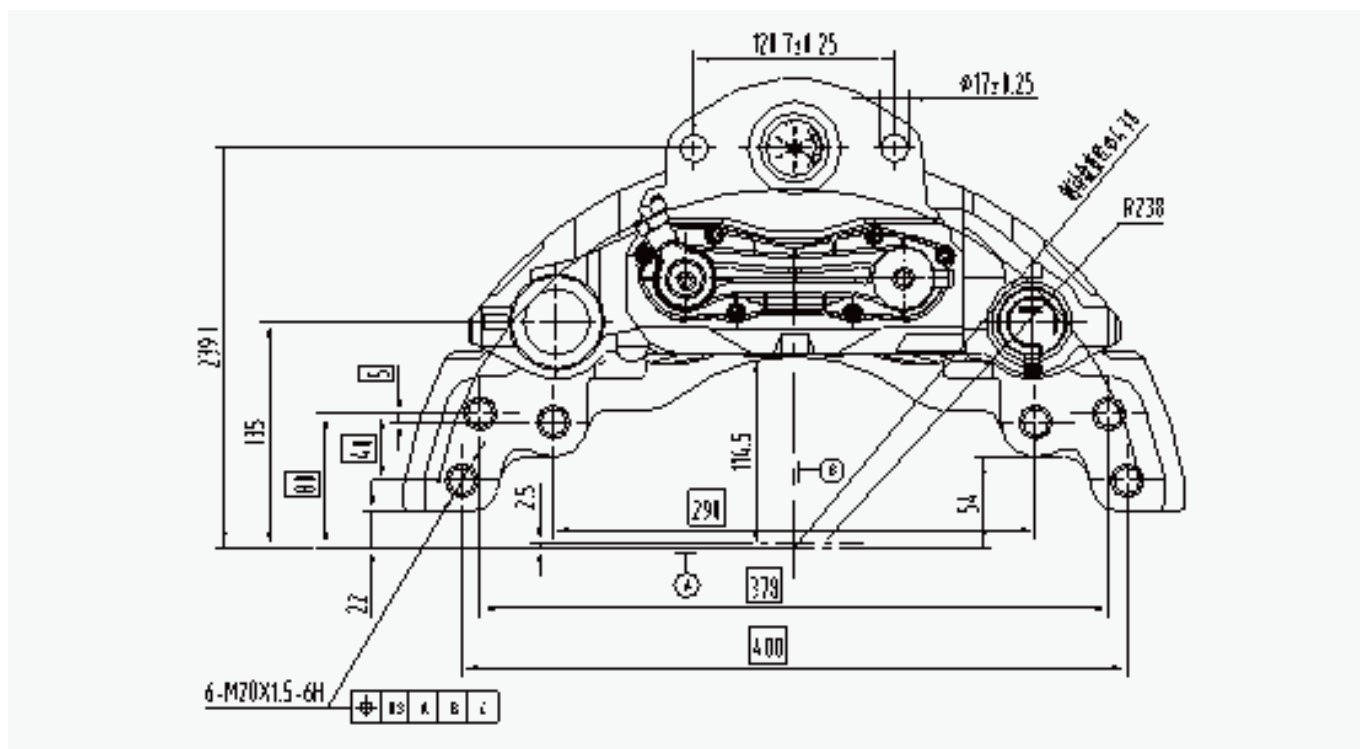
RL225-01技术参数 / technical parameters

Performance	Parameters	Performance	Parameters
Match rim specifications	22.5	Match the outside diameter of the brake disc	430mm
Match brake chamber specification	24	Brake disc thickness	45mm
Match effective travel of brake air chamber	≥64mm	Thickness of friction material (mm)	20
Rated operating pressure of brake chamber	0.8MPa	Brake clearance	0.6-1.2mm
Rated service brake torque	22kN·m	Structural features	Double push
Effective braking radius	173.6mm	Weight (excluding gas chamber) (kg)	44



22.5" double pushrod air
pressure disc brakes

RK225-01安装尺寸 / mounting dimension



Basic mounting size (customized to customer requirements)

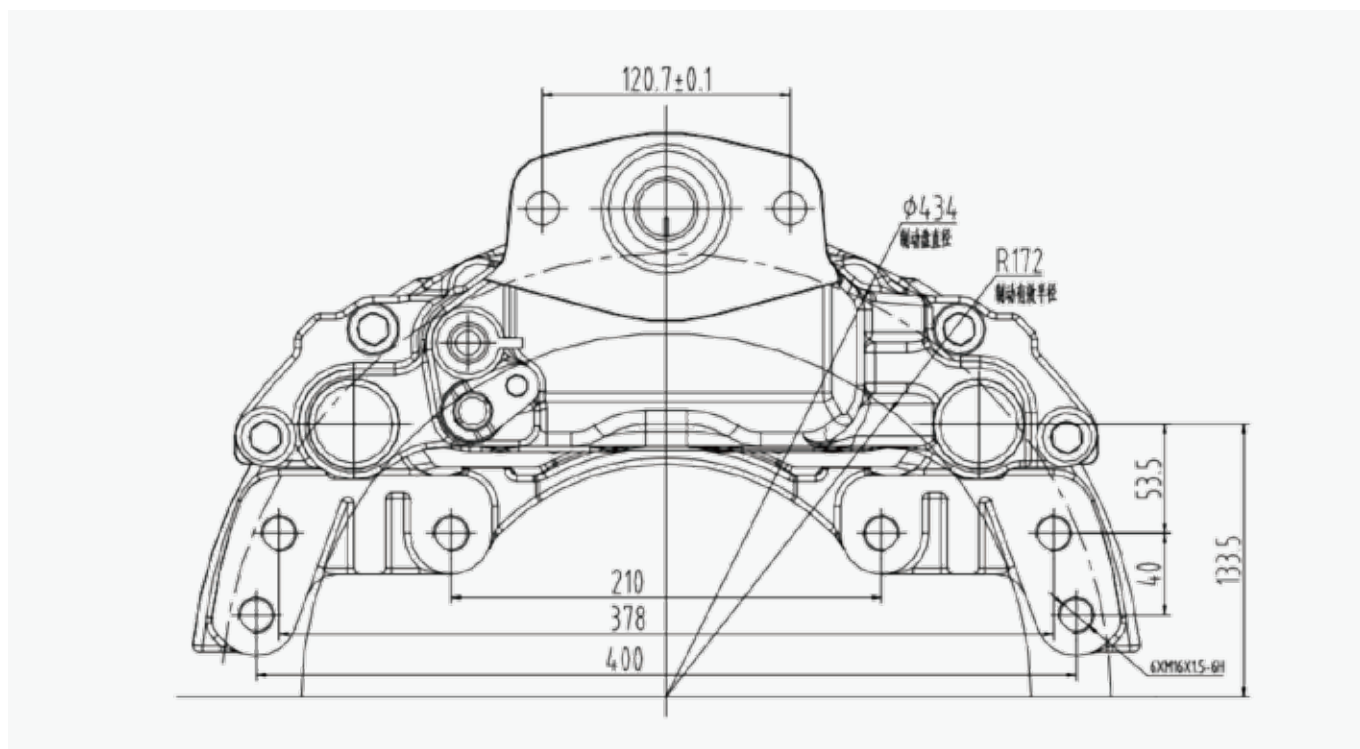
RK225-01技术参数 / technical parameters

Performance	Parameters	Performance	Parameters
Match rim specifications	22.5	Match the outside diameter of the brake disc	430mm
Match brake chamber specification	24	Brake disc thickness	45mm
Match effective travel of brake air chamber	≥64mm	Thickness of friction material (mm)	20
Rated operating pressure of brake chamber	0.8MPa	Brake clearance	0.6-1.2mm
Rated service brake torque	22kN·m	Structural features	Double push
Effective braking radius	171.5mm	Weight (excluding gas chamber) (kg)	40.5



22.5" double pushrod air
pressure disc brakes

RM225-01安装尺寸 / mounting dimension



Basic mounting size (customized to customer requirements)

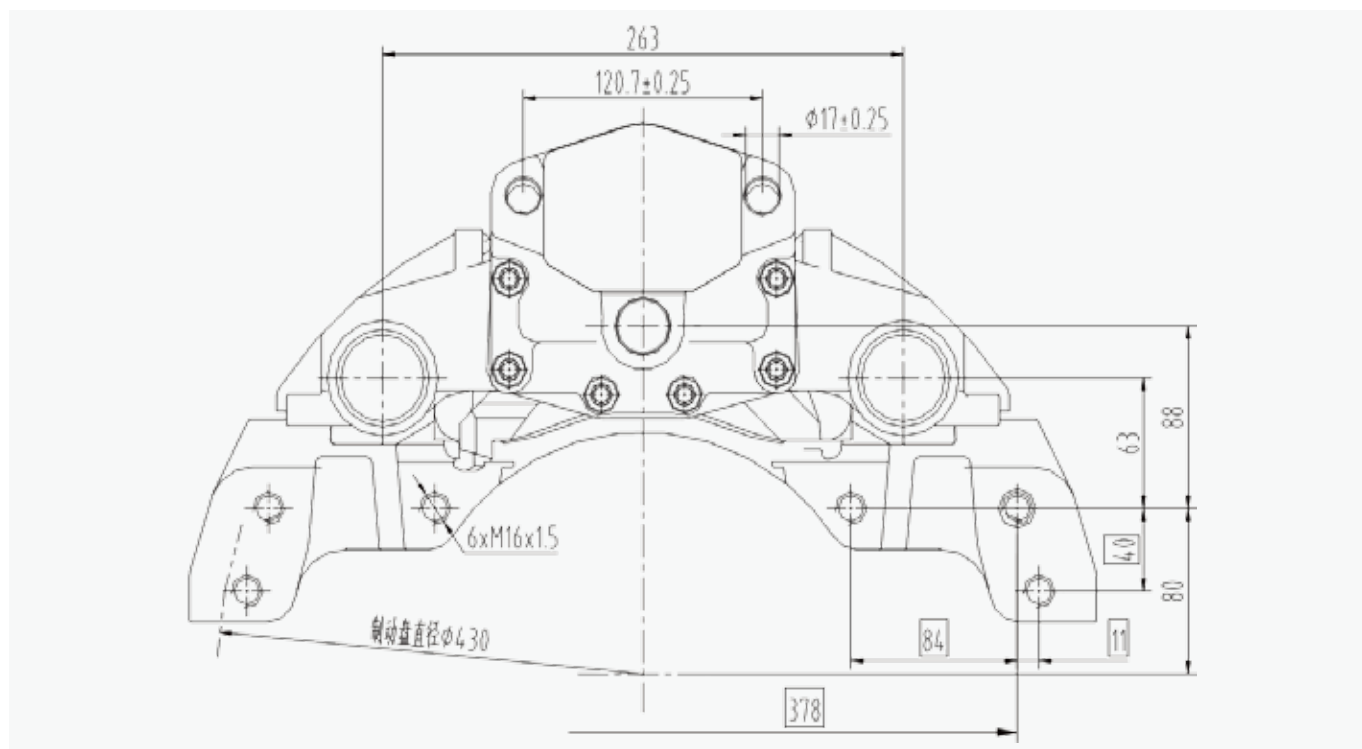
RM225-01技术参数 / technical parameters

Performance	Parameters	Performance	Parameters
Match rim specifications	22.5	Match the outside diameter of the brake disc	430mm
Match brake chamber specification	24	Brake disc thickness	45mm
Match effective travel of brake air chamber	≥64mm	Thickness of friction material (mm)	20
Rated operating pressure of brake chamber	0.8MPa	Brake clearance	0.6-1.2mm
Rated service brake torque	22kN·m	Structural features	Double push
Effective braking radius	172mm	Weight (excluding gas chamber) (kg)	42



22.5" single pushrod air
pressure disc brakes

RW225-01安装尺寸 / mounting dimension



Basic mounting size (customized to customer requirements)

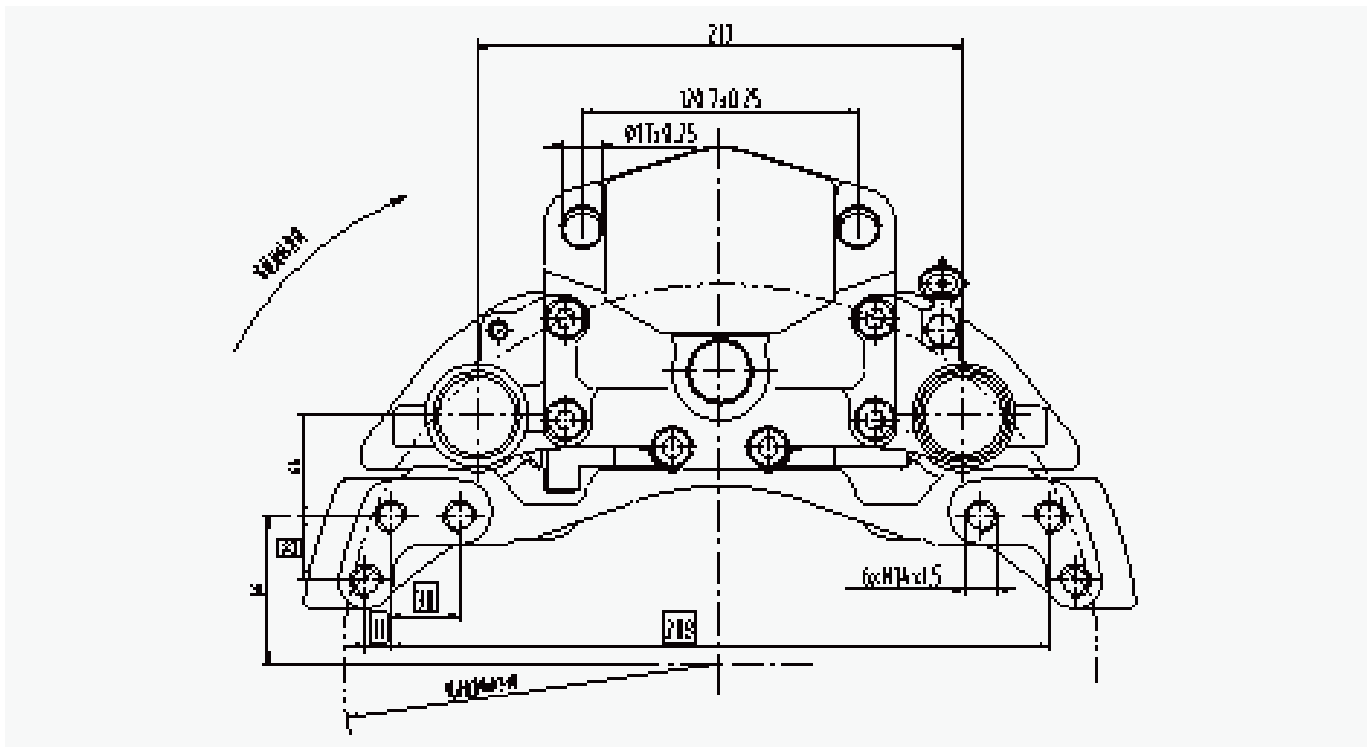
RW225-01技术参数 / technical parameters

Performance	Parameters	Performance	Parameters
Match rim specifications	22.5	Match the outside diameter of the brake disc	430mm
Match brake chamber specification	24	Brake disc thickness	45mm
Match effective travel of brake air chamber	≥64mm	Thickness of friction material (mm)	22.5
Rated operating pressure of brake chamber	0.8MPa	Brake clearance	0.6-1.2mm
Rated service brake torque	21kN·m	Structural features	Single push
Effective braking radius	168mm	Weight (excluding gas chamber) (kg)	36



17.5" single pushrod air
pressure disc brakes

RL175-01安装尺寸 / mounting dimension



Basic mounting size (customized to customer requirements)

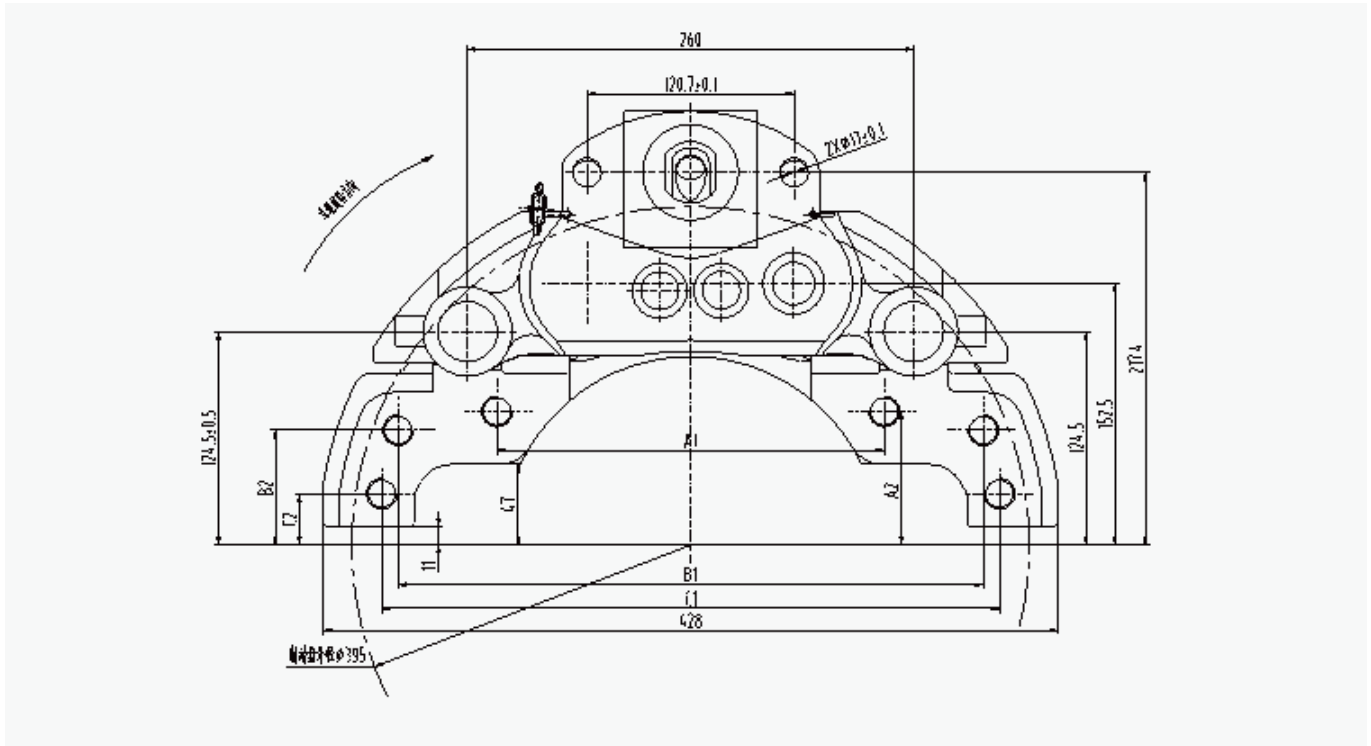
RL175-01技术参数 / technical parameters

Performance	Parameters	Performance	Parameters
Match rim specifications	17.5	Match the outside diameter of the brake disc	330mm
Match brake chamber specification	16	Brake disc thickness	34mm
Match effective travel of brake air chamber	$\geq 64\text{mm}$	Thickness of friction material (mm)	19
Rated operating pressure of brake chamber	0.8MPa	Brake clearance	0.6-1.2mm
Rated service brake torque	10kN·m	Structural features	Single push
Effective braking radius	127mm	Weight (excluding gas chamber) (kg)	24



20" double pushrod air
pressure disc brakes

RL200-01安装尺寸 / mounting dimension



Basic mounting size (customized to customer requirements)

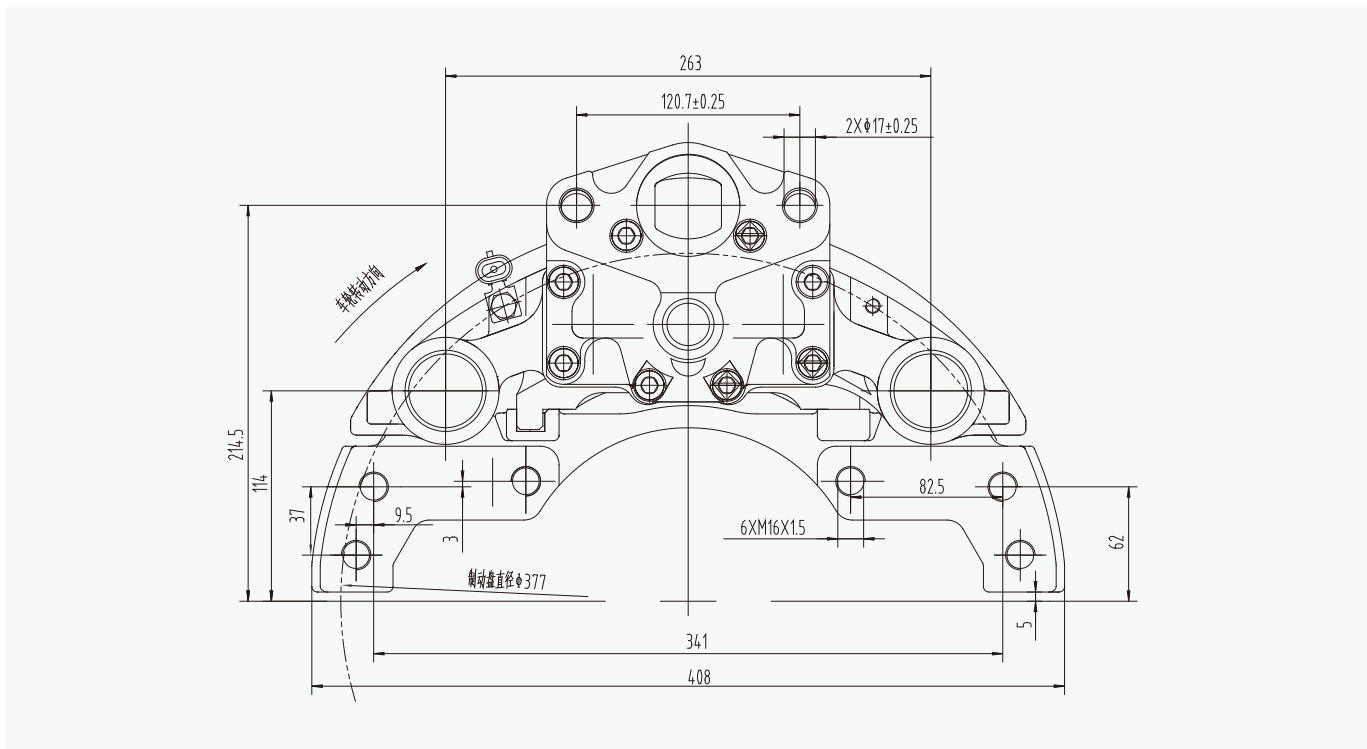
RL200-01技术参数 / technical parameters

Performance	Parameters	Performance	Parameters
Match rim specifications	20	Match the outside diameter of the brake disc	395mm
Match brake chamber specification	24	Brake disc thickness	45mm
Match effective travel of brake air chamber	≥64mm	Thickness of friction material (mm)	20
Rated operating pressure of brake chamber	0.8MPa	Brake clearance	0.6-1.2mm
Rated service brake torque	19kN·m	Structural features	Double push
Effective braking radius	160mm	Weight (excluding gas chamber) (kg)	40



19.5" single pushrod air
pressure disc brakes

RL195-01安装尺寸 / mounting dimension



Basic mounting size (customized to customer requirements)

RL195-01技术参数 / technical parameters

Performance	Parameters	Performance	Parameters
Match rim specifications	19.5	Match the outside diameter of the brake disc	377mm
Match brake chamber specification	24	Brake disc thickness	45mm
Match effective travel of brake air chamber	≥64mm	Thickness of friction material (mm)	21
Rated operating pressure of brake chamber	0.8MPa	Brake clearance	0.6-1.2mm
Rated service brake torque	16kN·m	Structural features	Single push
Effective braking radius	149mm	Weight (excluding gas chamber) (kg)	33

瑞立集团总走天下

瑞立集团瑞安汽车零部件有限公司
RUILI GROUP RUIAN AUTOMOTIVE PARTS CO., LTD.

地址：浙江省瑞安市经济开发区大道2666号
Add : No.2666 , Economic development zone avenue, Ruian city,Zhejiang Province,China
电话 Tel : 0577-65158319
邮箱 E-mail : info@sorl.com.cn



扫描官方二维码



扫描瑞立商服